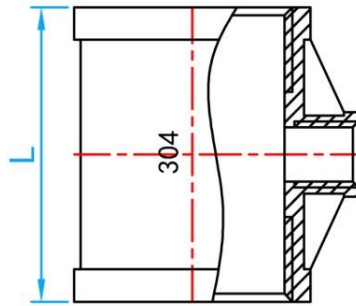
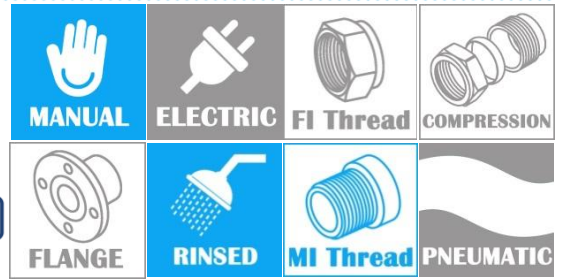


STAINLESS STEEL 304 THREADED FITTINGS

REDUCING TEE

COMPLY WITH BSEN1254-2:1998
AS/NZS 4020:2018



CROSS SECTIONAL VIEW

DIMENSIONS

SKU	BSPT THREAD (inch)	L (mm)	WEIGHT (kg)	PCS/CTN
SS304RT01508*	1/2" x 1/4"	43.0	0.0749	100
SS304RT01510*	1/2" x 3/8"	48.5	0.0808	100
SS304RT02008	3/4" x 1/4"	48.2	0.0900	100
SS304RT02015	3/4" x 1/2"	59.0	0.1279	150
SS304RT02515	1" x 1/2"	65.0	0.1888	100
SS304RT02520	1" x 3/4"	73.0	0.1970	100
SS304RT03515	1 3/4" x 1/2"	66.0	0.2336	70
SS304RT03520	1 3/4" x 3/4"	71.0	0.2570	60
SS304RT03525	1 3/4" x 1"	83.0	0.2866	60
SS304RT04215	1 1/2" x 1/2"	70.0	0.2994	50
SS304RT04220	1 1/2" x 3/4"	76.0	0.3224	50
SS304RT04225	1 1/2" x 1"	82.0	0.3580	50
SS304RT04235	1 1/2" x 1 3/4"	91.5	0.4666	40
SS304RT05015	2" x 1/2"	72.0	0.3768	42
SS304RT05020	2" x 3/4"	76.0	0.4112	38
SS304RT05025	2" x 1"	84.0	0.4613	36
SS304RT05035	2" x 1 3/4"	92.0	0.5067	36
SS304RT05042	2" x 1 1/2"	100	0.5550	36
SS304RT06542	2 1/2" x 1 1/2"	106.5	0.8200	14
SS304RT06550	2 1/2" x 2"	118.0	0.8850	10
SS304RT08050	3" x 4"	125.0	1.1500	8
SS304RT08065	3" x 2 1/2"	133.3	1.4820	8
SS304RT10050	4" x 2"	133.2	1.9750	10

Note: AISI316 material available upon request.

*This item requires special ordering. Please consult with a salesperson for the estimated lead time.